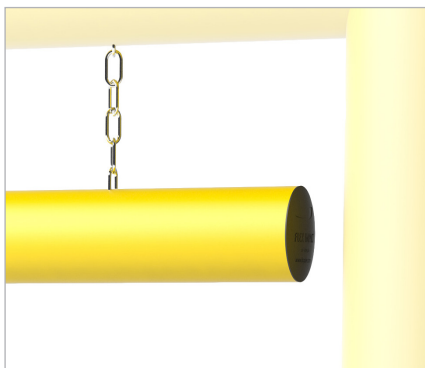
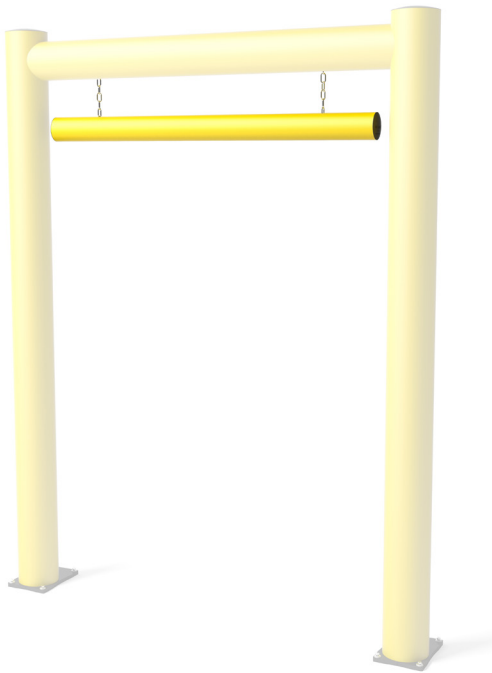


# TOUCH BARRIER BOPLAN FLEX IMPACT SPECIFICATION SHEET

Revision: 28 April 2021 11:33 AM

Boplan reference: GP...



## PRODUCT SPECIFICATIONS

### APPLICATION

Protection	Cost effective solution for the protection of gates, canopies and bridges from collisions with high vehicles, such as elevated work platforms, trucks and buses.
------------	--

### MATERIAL

Rail	Polyolefin - UV resistant - Fire class E <sup>*</sup> - Non conductive - Impervious to most chemicals <sup>**</sup>
Caps	SEBS Rubber
Mounting chain	Steel + electro plating

### STANDARD COLORS

Rail	Yellow
------	--------

### SIZE

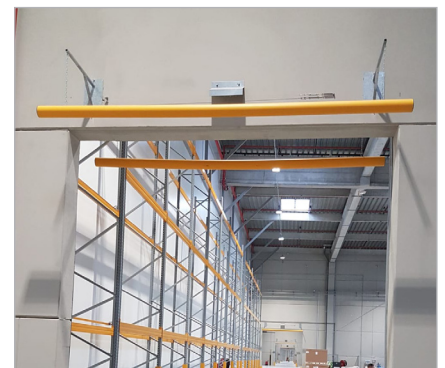
Rail	Min. 1800 - max. 6000 mm
Rail	Ø125 mm (10 mm thick)

### REQUIREMENTS

Operational temp.	-10°C up to +40°C
Water and humidity	<b>Zinc coated:</b> outdoor use in most environments.

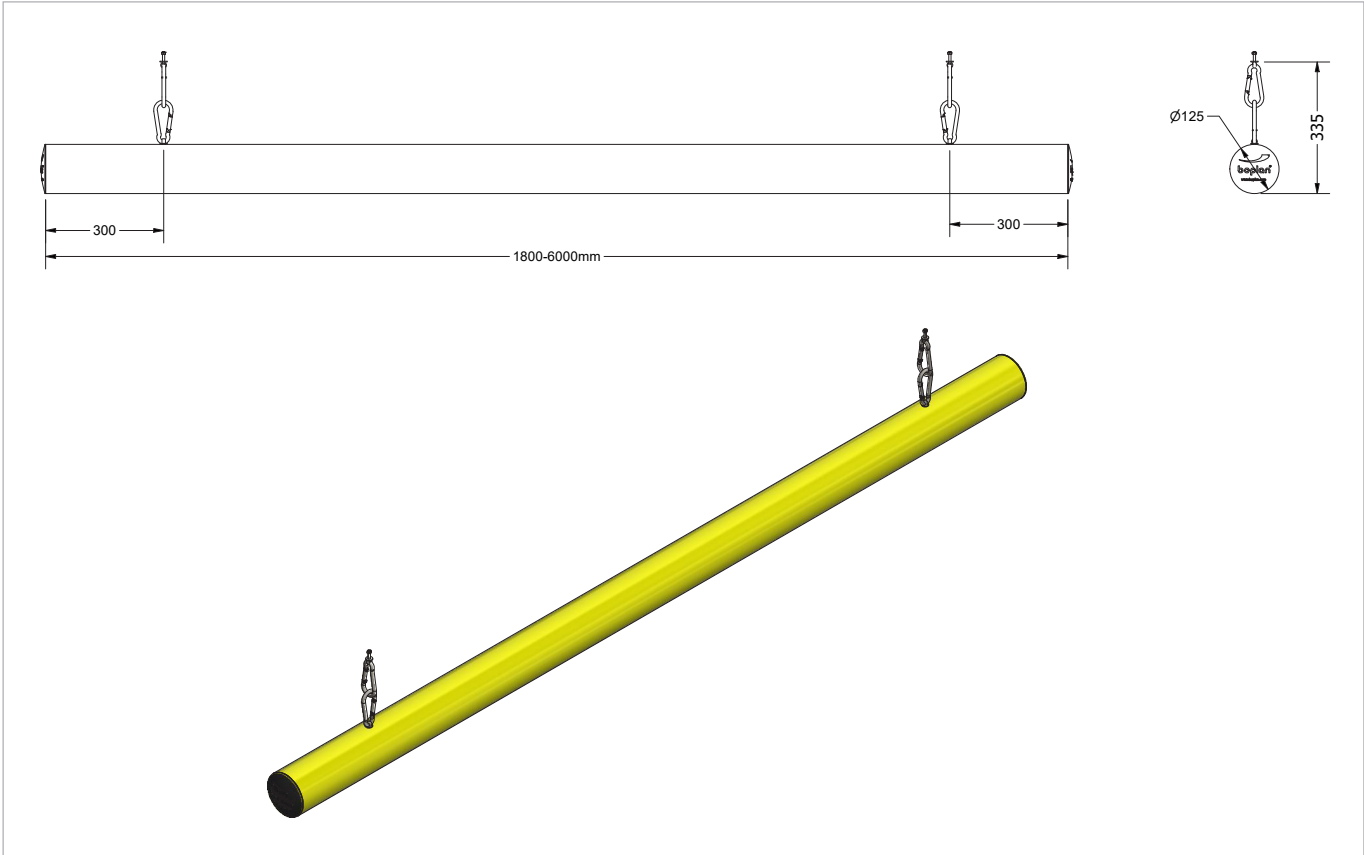
<sup>\*</sup>Classification according to EN 13501-1:2007 +A1:2009 - Fire classification of construction products and building elements.

<sup>\*\*</sup>Ask your local sales office for resistance to specific chemicals.



## REFERENCE LIST - TOUCH BARRIER

TOUCH BARRIER	
Touch barrier - 1800-2500mm	GP1251-2500-TB00YE
Touch barrier - 2600-4000mm	GP1251-4000-TB00YE
Touch barrier - 4100-6000mm	GP1251-6000-TB00YE



## REFERENCE LIST - TOUCH BARRIER

### MOUNTING OPTIONS

Goal Post - Chain - linear meter	GP0099-0003-CHZC	
Goal Post - Wall connection + chain - 1000x500mm - BL	GP0099-0002-WCP0BL	